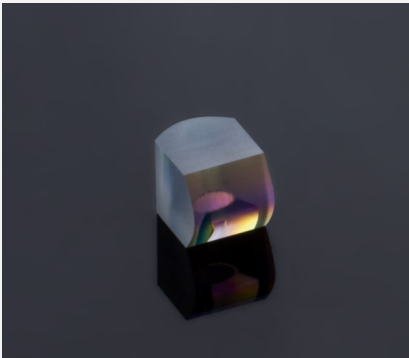


Collimator



Features and Advantages

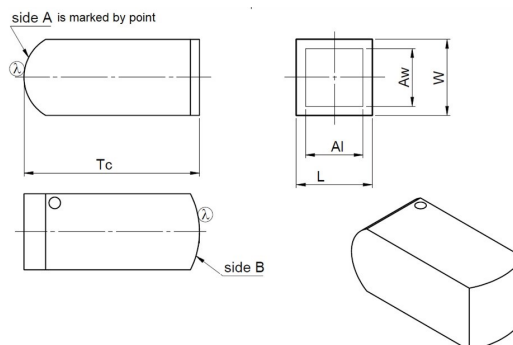
Collimator for blue multi-mode single emitters packaged in TO-cans.

Product Specifications

Product Code	ZLE002061 ⁽¹⁾		
Specification Data	Unit	Value	
Material		S-BSL7	
Length (L)	mm	2.5 ± 0.05	
Width (W)	mm	2.5 ± 0.05	
Thickness (T)	mm	5.78 ± 0.05	
Clear Aperture (Al x Aw)	mm ²	1.9 x 1.9	
Design Wavelength (DW)	nm	445	
Refractive Index @ DW		1.526	
Effective focal length (EFL) @ DW	mm	5.02	
Back focal length (BFL) @ DW	mm	1.19	
Numerical aperture (NA)		FA:0.5; SA:0.2	
Fast axis remaining divergence (FW 1/e ²) - typically	mrad	1.6	
Slow axis remaining divergence (FW 1/e ²) - typically	mrad	7.0	
AR Coating	nm	400-700	
Transmission	%	> 99	

⁽¹⁾ Divergence valid for an emitter-height of 1µm and an emitter-width of 30µm

Product Drawing



Rev 03 | Updated June 8, 2022 | RoHS compliant 2011/65/EU and 2015/863/EU

1

All rights reserved. Product specifications and descriptions are subject to change. All our products are patent pending. Please contact our sales representatives for complete details.

LIMO GmbH

Focuslight (DG) Microoptics Co. Ltd.

Address: Bookenburgweg 4-8, 44319 Dortmund, Germany

Address: No. 49, Jingyi Road, Dongcheng Street, Dongguan City, Guangdong Province, China

Tel: +49 231 22 24 1-0 (DE) +86 29 8956 0050 (CN) | Email: sales@focuslight.com | Website: <https://www.focuslight.com>