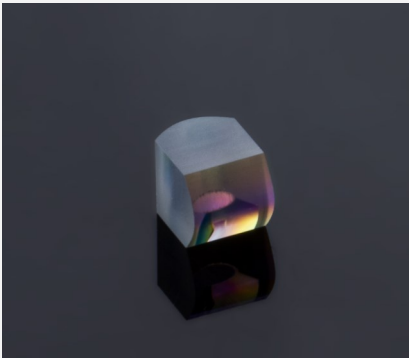


Fiber Coupler for Packaged Emitters

Monolithic solution for Infrared applications



Features and Advantages

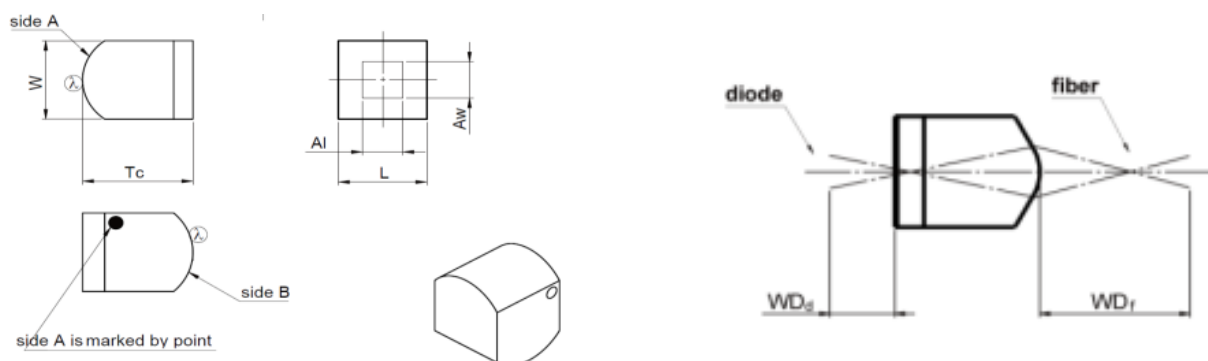
Monolithic fiber coupler for the efficient coupling of broad area emitters into optical fibers.

Product Specifications

Product Code	ZLE000382	
Specification Data ⁽¹⁾	Unit	Value
Material		S-TIH53 (Ohara)
Length (L)	mm	2.4 ± 0.05
Width (W)	mm	2.4 ± 0.05
Thickness (T)	mm	3.0 ± 0.02
Clear Aperture (A _l x A _w)	mm ²	1.1 x 1.1
Numerical Aperture (NA)		FA:0.46; SA:0.1
Refractive Index @ 808 nm		1.823
Distance Emitter Facet to Coupler (WD _d)	mm	1.35
Distance Coupler to Fiber (WD _f)	mm	3.1
Effective Focal Length (EFL) @ 808 nm	mm	FA: 1.04; SA: 1.57
AR Coating	nm	790 - 990
Transmission	%	> 99
Typical Coupling Efficiencies (for AR Coated Fibers)		
Emitter 100 μm, NA 0.1; Fiber Diameter 200 μm, NA 0.22	%	> 85
Emitter 200 μm, NA 0.1; Fiber Diameter 200 μm, NA 0.22	%	> 80
Surface Imperfections (DIN ISO 10110-7)		5/ 10x0.01; C10x0.063; L3x0.016; E0.5

⁽¹⁾ Customized coating and design on request.

Product Drawing



Rev 03 | Updated June 8, 2022 | RoHS compliant 2011/65/EU and 2015/863/EU

1

All rights reserved. Product specifications and descriptions are subject to change. All our products are patent pending. Please contact our sales representatives for complete details.

LIMO GmbH

Focuslight (DG) Microoptics Co. Ltd.

Address: Bookenburgweg 4-8, 44319 Dortmund, Germany

Address: No. 49, Jingyi Road, Dongcheng Street, Dongguan City, Guangdong Province, China

Tel: +49 231 22 24 1-0 (DE) +86 29 8956 0050 (CN) | Email: sales@focuslight.com | Website: <https://www.focuslight.com>