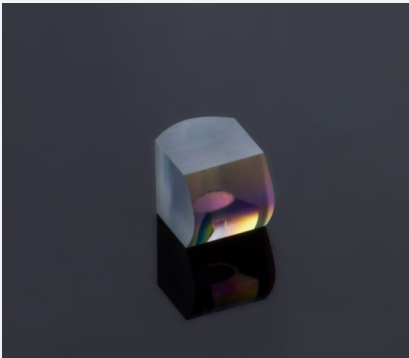


# Monolithic Collimator



## Features and Advantages

Monolithic Collimator for blue multi-mode single emitters packaged in TO-cans, collimating both fast axis and slow axis at once.

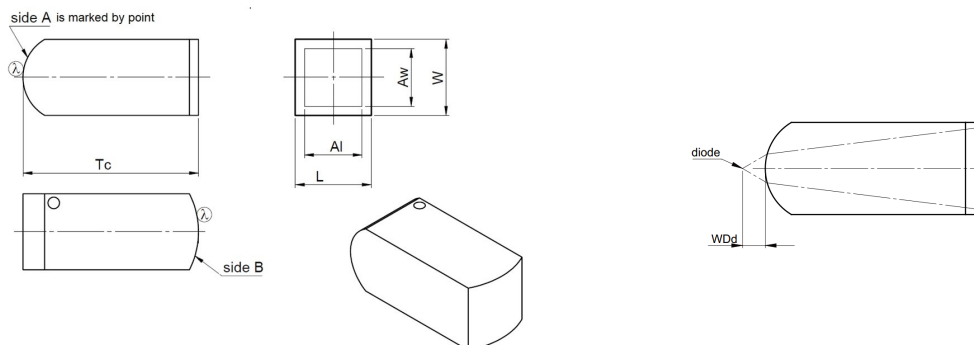
(\* ) Product similar to image, see product drawing below.

## Product Specifications

Product Code	ZLE002061 <sup>(1)</sup>		
Specification Data	Unit	Value	
Material		S-BSL7	
Length (L)	mm	2.5 ± 0.05	
Width (W)	mm	2.5 ± 0.05	
Thickness (T)	mm	5.78 ± 0.05	
Clear Aperture (Al x Aw)	mm <sup>2</sup>	1.9 x 1.9	
Design Wavelength (DW)	nm	445	
Refractive Index @ DW		1.526	
Effective Focal Length (EFL) @ DW	mm	5.02	
Working Distance (WD <sub>d</sub> ) and Back Focal Length (BFL) @ DW	mm	1.19	
Numerical Aperture (NA)		FA:0.5; SA:0.2	
Fast Axis Remaining Divergence (FW 1/e <sup>2</sup> ) - typically <sup>(1)</sup>	mrad	1.6	
Slow Axis Remaining Divergence (FW 1/e <sup>2</sup> ) - typically <sup>(1)</sup>	mrad	7.0	
AR Coating	nm	400-700	
Transmission	%	> 99	

<sup>(1)</sup> Divergence valid for an emitter-height of 1 μm and an emitter-width of 30 μm

## Product Drawing



Rev 04 | Updated July 8, 2022 | RoHS compliant 2011/65/EU and 2015/863/EU

1

All rights reserved. Product specifications and descriptions are subject to change. All our products are patent pending. Please contact our sales representatives for complete details.

LIMO GmbH

Address: Bookenburgweg 4-8, 44319 Dortmund, Germany

Focuslight (DG) Microoptics Co. Ltd.

Address: No. 49, Jingyi Road, Dongcheng Street, Dongguan City, Guangdong Province, China

Tel: +49 231 22 24 1-0 (DE) +86 29 8956 0050 (CN) | Email: sales@focuslight.com | Website: <https://www.focuslight.com>